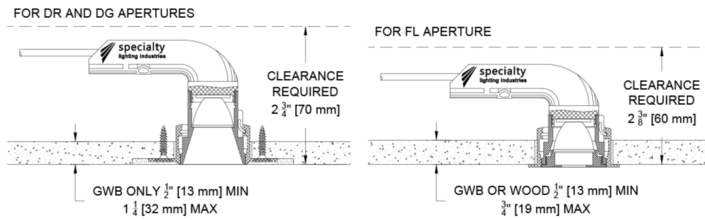
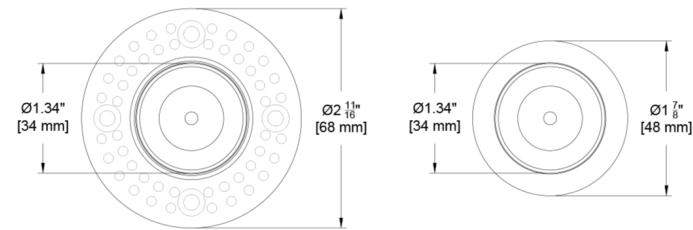
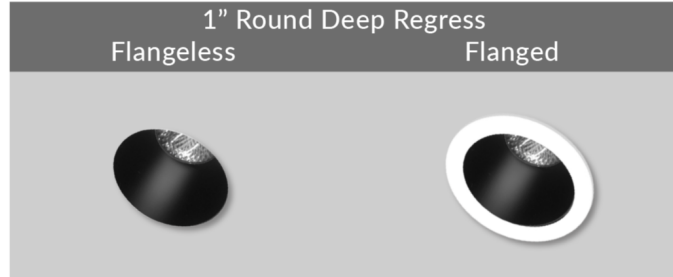
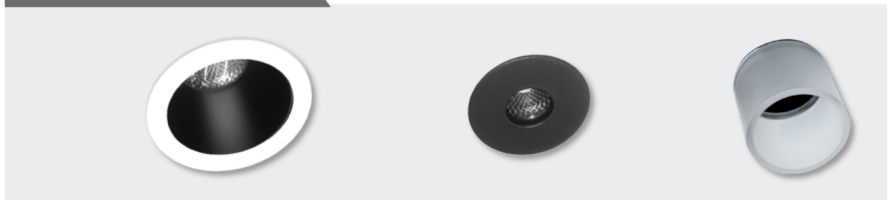


The Confetti Family

Just like little pieces of paper floating from the sky can create an amazing image in a parade, Confetti™ offers a fun way to deliver light in small packages. The Confetti™ family's array of options include recessed downlights, wallwashers, eyeball adjustables and surface offerings in the form of tiny monopoints and pendants. Have some fun and throw some Confetti™ to light your space.



Aperture Options



Deep Regress (DR)

Flat / Pin Hole (FL)

Drop Glass (DG)

PROJECT:

TYPE:

SPECIFIER:

DATE:

Key Points (CF1D-RF)

Trim

- Distinctive small 1" aperture available in 3 options (Deep Regress, Flat and Dropped Glass).
- Flangeless and Flanged trims available for retrofit type installation, no housing required.
- Unique design of Flangeless Trim allows for truly flat, smooth ceilings when using the Confetti™ Counter Bore Hole Saw. For optimal installation we recommend using this tool. Order under accessories.
- Flanged trim features micro-bite wing springs.
- White or Black standard finish for aperture bezel and flanged trims.

Source / Optics

- 2700K, 3000K and 3500K available.
- 3 beamspreads available - 20°, 28° and 40°
- Up to 2193 Peak CD
- **TITLE 24 JAB** Up to 487 delivered lumens from our very small, 1" aperture
- <3 MacAdam Steps (<3SDCM) for fixed white
- 90 CRI, 60+ R9 Standard
- [View Photometry](#)

Housing

- **TITLE 24 JAB** IC Rated / airtight housing approved for use in direct contact with insulation meeting CA Title 24 requirements.
- **CSB** - listed for Wet Location
- Wire pigtails are CMP rated for plenum use

Drivers

- Configurable driver box for up to 4 Confetti™ fixtures on a single remote driver. Can be mixed with other fixtures within the Confetti™ family. Quantity of driver boxes needs to be specified based upon number of fixtures and control zone requirements.
- Remote Universal EldoLED driver, 120-277V
- Flicker free to IEEE 1789-2015 available with EldoLED and TruPhase™ selections
- 0-10, DALI-2, TruPhase™

Ordering Codes

PROJECT:

SPECIFIER:

DATE:

TYPE:

QUANTITY:

Ordering Code Example: CF1D-RF-DR-Z-SG7-30-20-CFD/E1-2-B-K/ (1) CFCBHS for entire order

FIXTURE	APERTURE	TRIM	SOURCE / WATTS	CCT	BEAM	DRIVER / CONTROL	DRIVER QUANTITY	BEZEL FINISH	TRIM FINISH	ACCESSORIES
CF1D-RF										
Confetti™ 1" Round Fixed Downlight	DR Deep Regress FL Flat (Pin Hole) DG Drop Glass* * Bezel finish not applicable to drop glass	Z Flangeless Trim* Flangeless Trims ZPM Flangeless Panel Mont Flanged Trims F Flanged Trim^ * Recommend that CFCBHS tool listed under Accessories be purchased for easy installation. Refer to Ceiling Cutouts and Dimensions for details. <i>Trim finish does not apply to flangeless trims.</i> ^ Must specify trim finish for flanged trim	SG7 ●● 8W 487Lm* 90+CRI, 65+R9 ●● Supports CA Title 24 compliance to JA8 requirements * Based on Deep Regress with 40° beamspread View Photometry	27 2700K 30 3000K 35 3500K	20 Spot 28 Narrow Flood 40 Flood * * Not recommended for use with the FL- Flat (pinhole) aperture	CFD/E1 0-10* 0.1%, UNV (120-277V) log CFD/E2 DALI-2* 0.1%, UNV (120-277V) log CFD/E3 0-10* 0.1%, UNV (120-277V) linear K No driver required. (CFD box has been specified with another Confetti product) TR2 TruPhase™ 0.1%, (120-120V) log Up to 20W Forward and Reverse compatible Phase Dimming Static White & Ambient Dim only * Remote driver only.	# Specify number of drivers Must specify # of driver boxes based upon control requirements and 1-4 fixtures per driver. See Electrical Configuration and Control section of cut sheets for details.	B Black Paint W White K Blank for Drop Glass Aperture Option	B Black Paint W White Paint K Blank for use with Flangeless	CFCBHS Counter Bore Hole Saw for Flangeless Trims Controls ATH Lutron Athena Wireless Node <i>Must be used with E2 driver</i> Recommended for proper installation of Flangeless Trims. Only one required per project.

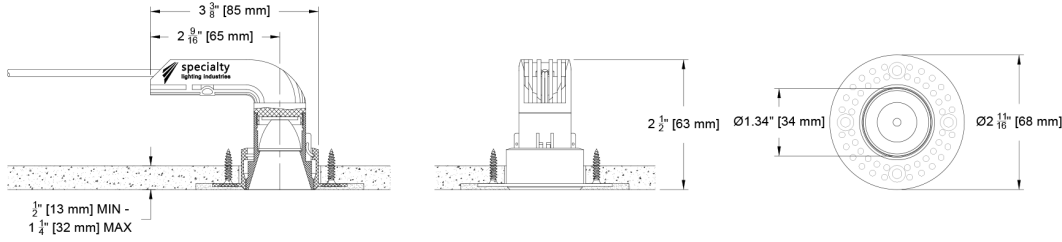
Ceiling Cutouts and Dimensions

All Aperture Types Shown

Round Flangeless

Deep Regress (DR)

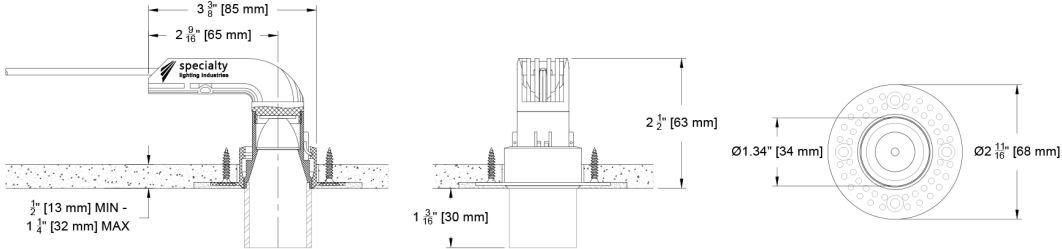
(CF1D-RF-DR-Z-SG7)



Round Flangeless

Drop Glass (DG)

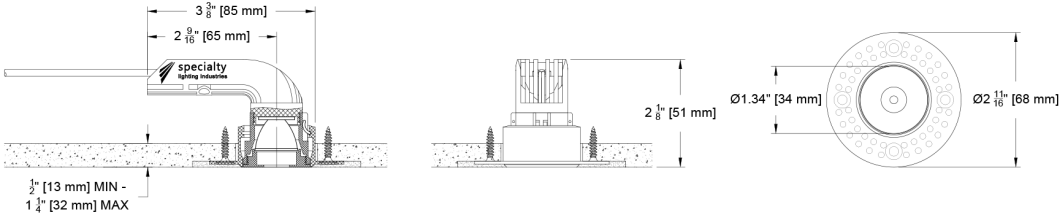
(CF1D-RF-DG-Z-SG7)



Round Flangeless

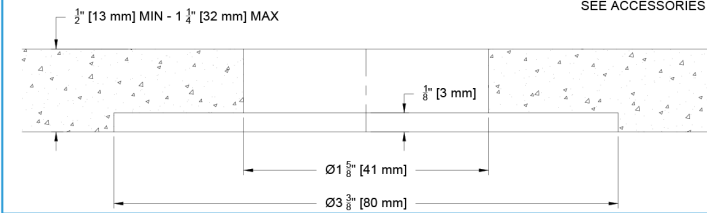
Flat / Pin Hole (FL)

(CF1D-RF-FL-Z-SG7)



Flangeless Mount Detail

CFCBHS REQUIRED ALONG WITH POWER DRILL FOR THIS CUTOUT. SEE ACCESSORIES



*Confetti Counter Bore Hole Saw (CFCBHS)

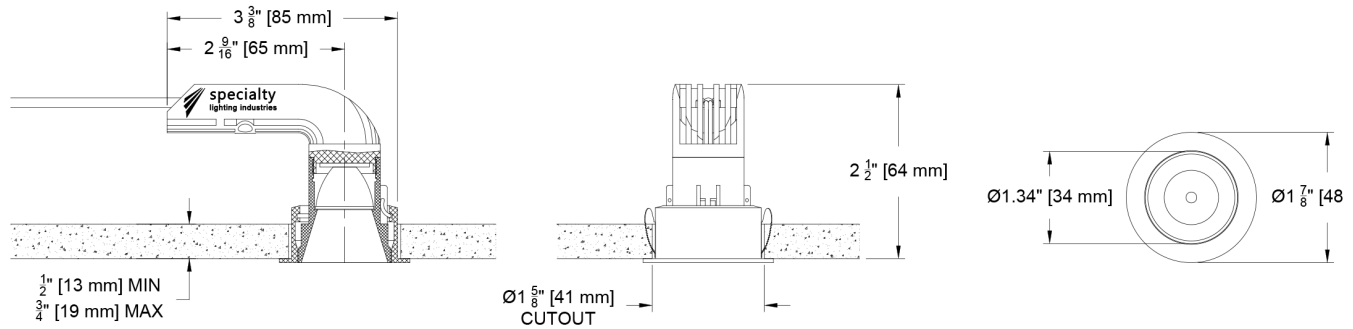
Ceiling Cutouts and Dimensions

All Aperture Types Shown

Round Flanged

Deep Regress (DR)

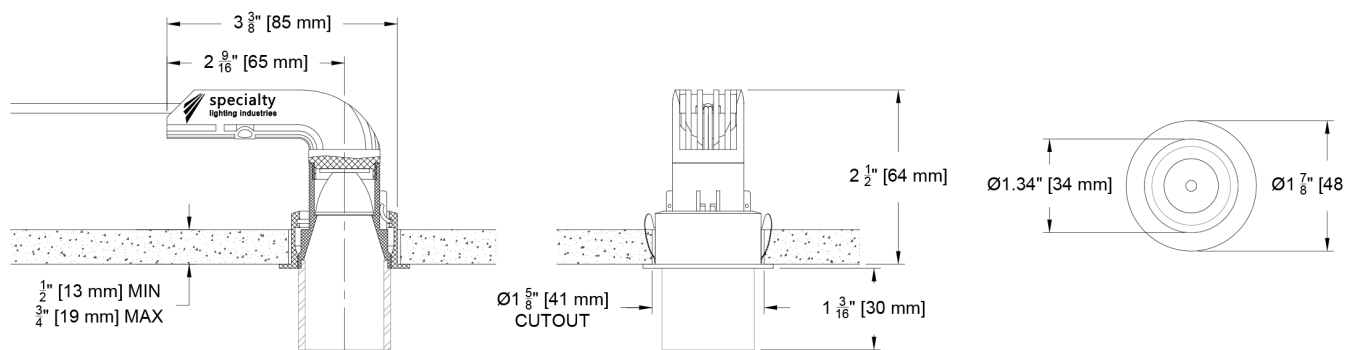
(CF1D-RF-DR-F-SG7)



Round Flanged

Drop Glass (DG)

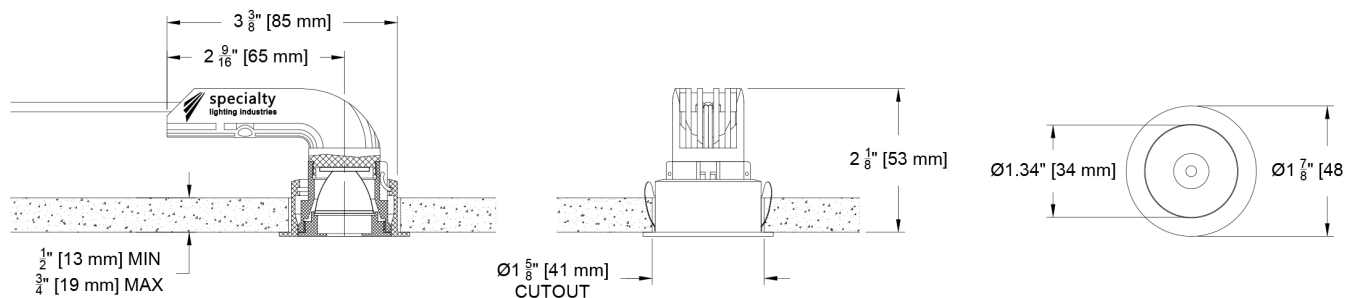
(CF1D-RF-DG-F-SG7)



Round Flanged

Flat / Pin Hole (FL)

(CF1D-RF-FL-F-SG7)



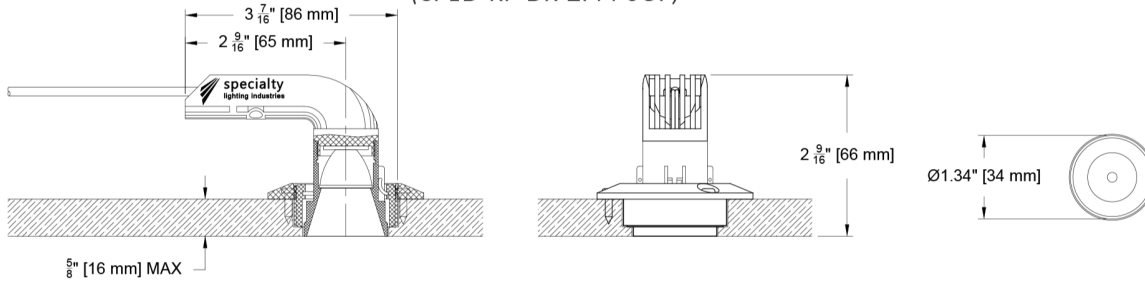
Ceiling Cutouts and Dimensions

All Aperture Types Shown

Flangeless Panel Mount

Deep Regress (DR)

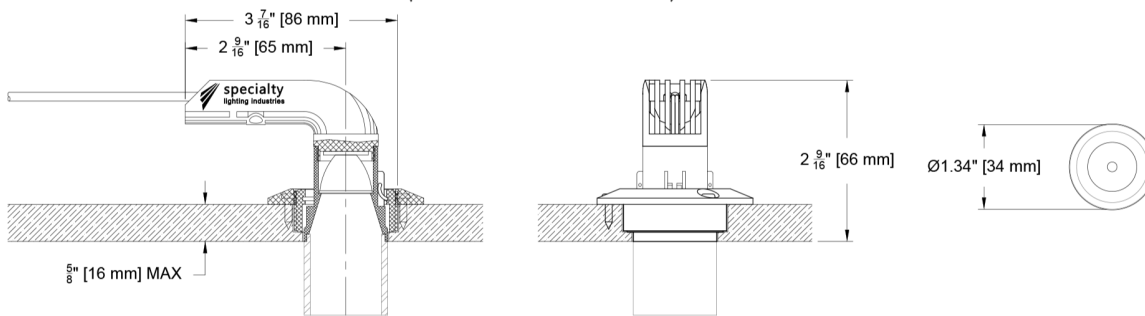
(CF1D-RF-DR-ZPM-SG7)



Flangeless Panel Mount

Drop Glass (DG)

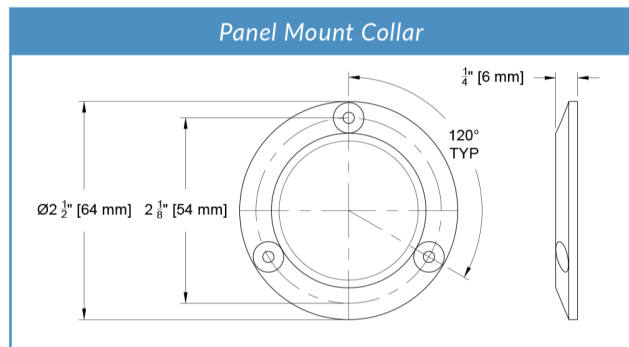
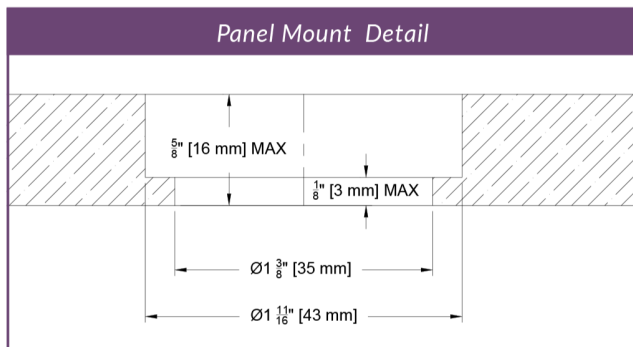
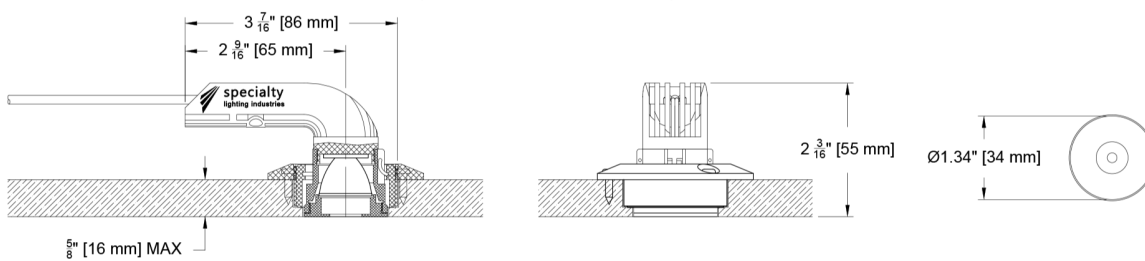
(CF1D-RF-DG-ZPM-SG7)



Flangeless Panel Mount

Flat / Pin Hole (FL)

(CF1D-RF-FL-ZPM-SG7)



Photometric Table

All data below are delivered lumens based on goniometer measurements of production representative product. All lumen values can vary +/- 10% from LED manufacturer rated nominal flux.

ROUND Beamspreads		20°					28°					40°				
Source		System watts (W)	Delivered Lumens (lm)	Lumens/Watt	Peak CD	10% Field	Delivered Lumens (lm)	Lumens/Watt	Peak CD	10% Field	Delivered Lumens (lm)	Lumens/Watt	Peak CD	10% Field		
Deep Regress	SG7	8	410	51	2193	48°	437	55	1391	55°	487	61	1137	59°		
	Flat	8	205	27	1246	37°	254	34	1062	44°	N/A	N/A	N/A	N/A		
	Dropped Glass	8	390	52	2143	31°	378	50	1419	38°	389	52	1094	42°		
CCT Multiplier		Beam angle					Beam angle					Beam angle				
CCT	CITIZEN															
2700	0.95	18.9°					28.3°					39.9°				
3000	1.00															
3500	1.02															
4000	1.03															
All measurements based on 3000 CCT.																

All measurements are delivered lumens based on 3000K unless otherwise noted below.
 ISO cd Plots based on Deep Regress with SG7 Source. Refer to photometry tab on product page for exact ISO cd plot and IES files.
 The following combinations do not meet CA Title 24 JAB requirements: Flat Aperture SG7 source in all beam spreads.

Color Data

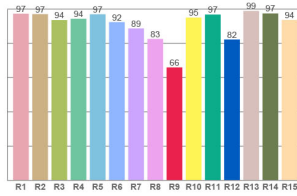
All Color information is based on goniometer measurements of production representative product. All values can vary +/- 10% from LED manufacturer data range as listed on their datasheet.

Specialty Array - SG7

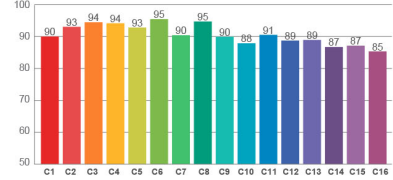
- <3 MacAdam Ellipse (<3 SDCM)
- 90+ CRI and RF
- 60+R9, Hue Bin 1 and 16

92 CRI	66 R9
91 RF	98 RG

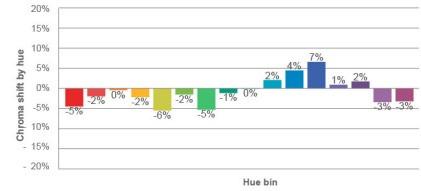
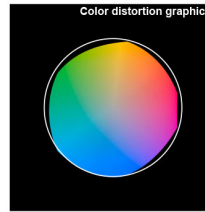
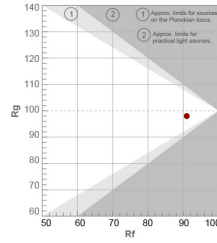
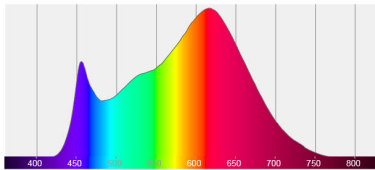
CRI: 92.8 (R1-R8)



TM30: 91.0



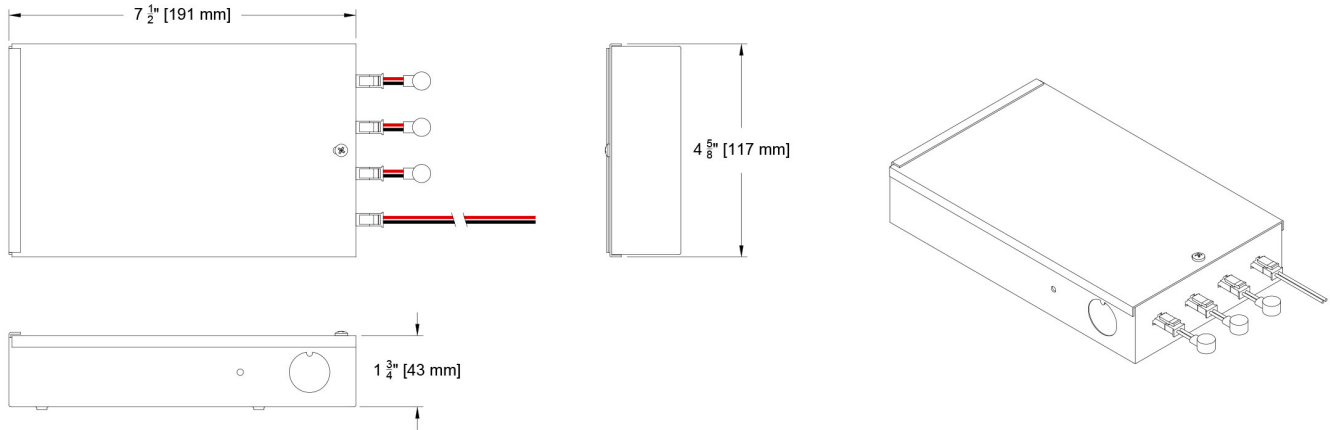
Spectra



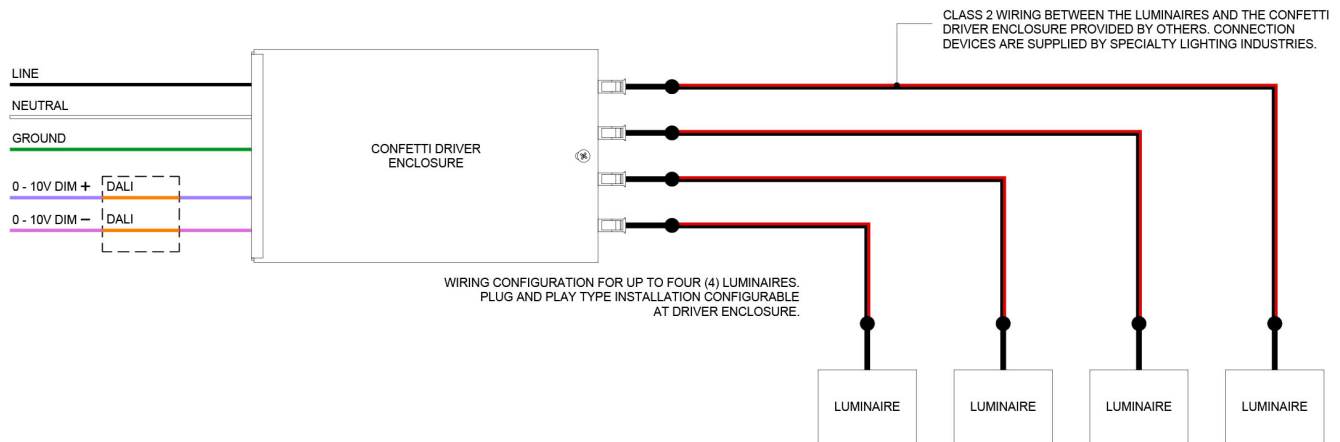
Electrical Configuration and Control

Confetti Driver Enclosure for CFD/E1, CFD/E2, CFD/E3

REMOTE MOUNTING REQUIRED

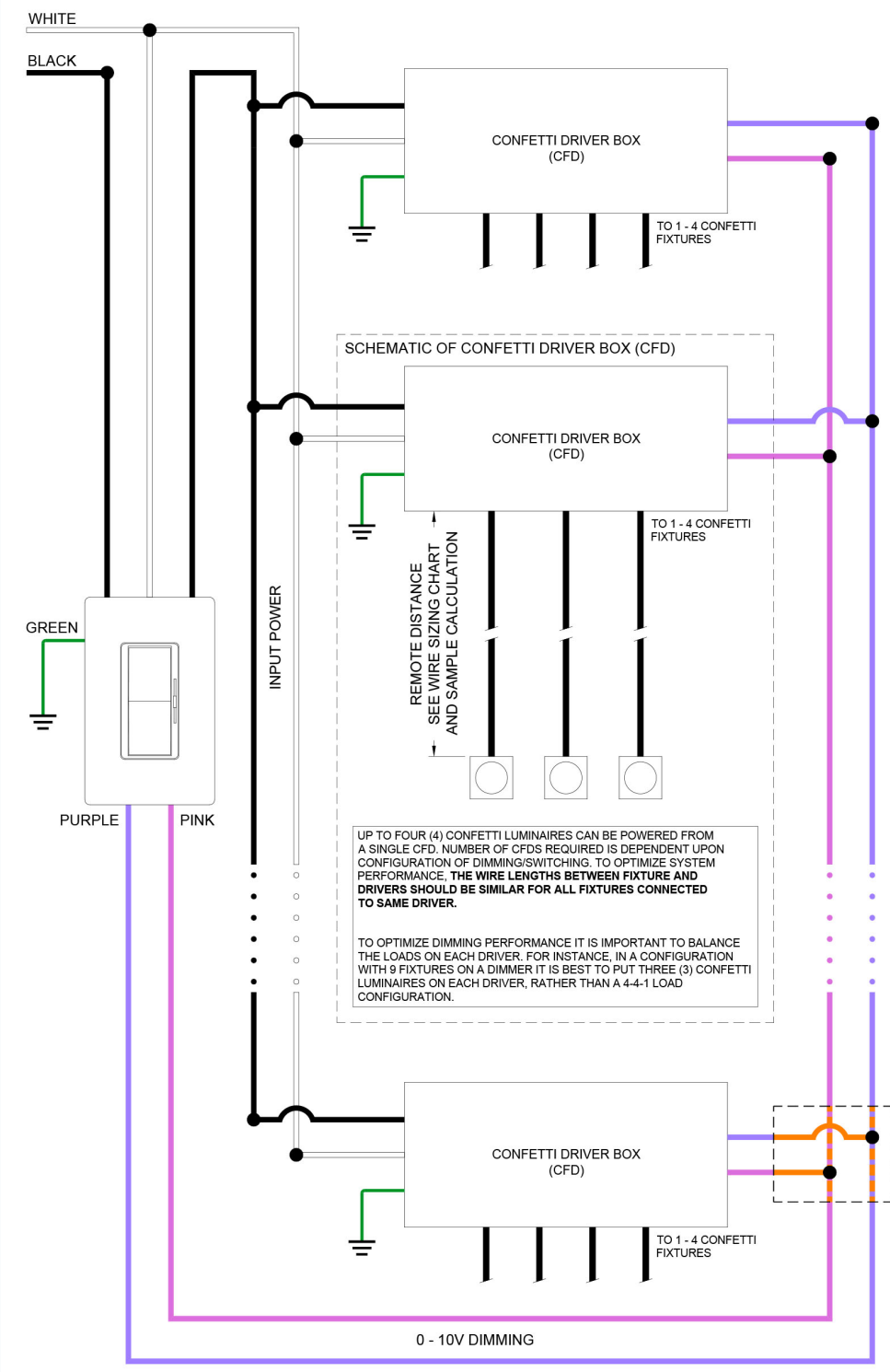


Schematic Wiring Diagram for CFD/E1, CFD/E2, CFD/E3



Electrical Configuration and Control

System Wiring Diagram for Confetti Driver Enclosure for CFD/E1, CDF/E2, CFD/E3



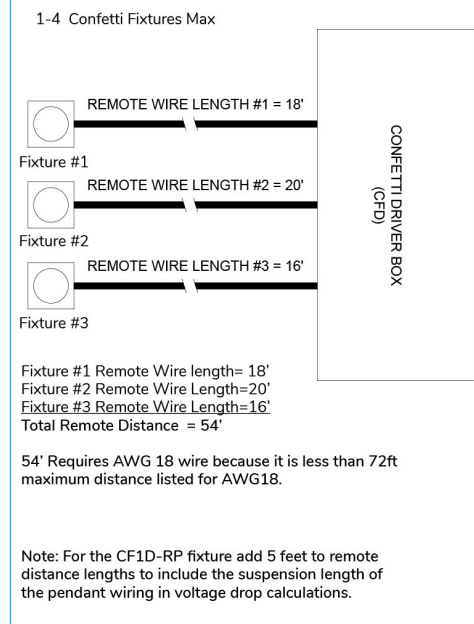
Remote Wire Sizing Chart for CFD/E1, CFD/E2, CFD/E3 Drivers

for All Point Sources

Max Remote Distance*	Wire Size
46 ft (14 m)	AWG 20 (0.52 mm ²)
72 ft (22 m)	AWG 18 (0.82 mm ²)
118 ft (36 m)	AWG 16 (1.31 mm ²)

* Max Remote Distance calculated by adding the sum of remote distances for all fixtures connected to driver, i.e. four (4) fixtures connected to a single driver, each 20 feet from driver, the remote distance is 80 feet.
 For more information and dimmer compatibility refer to driver manufacturer's website:
 EdoLED (E2) Drivers - <https://eldoled.com/product/dualdrive>

EXAMPLE 3 Fixtures @ Various Length each Calculate Max Remote Distance= Add the sum of all fixture lengths



Electrical Configuration and Control

